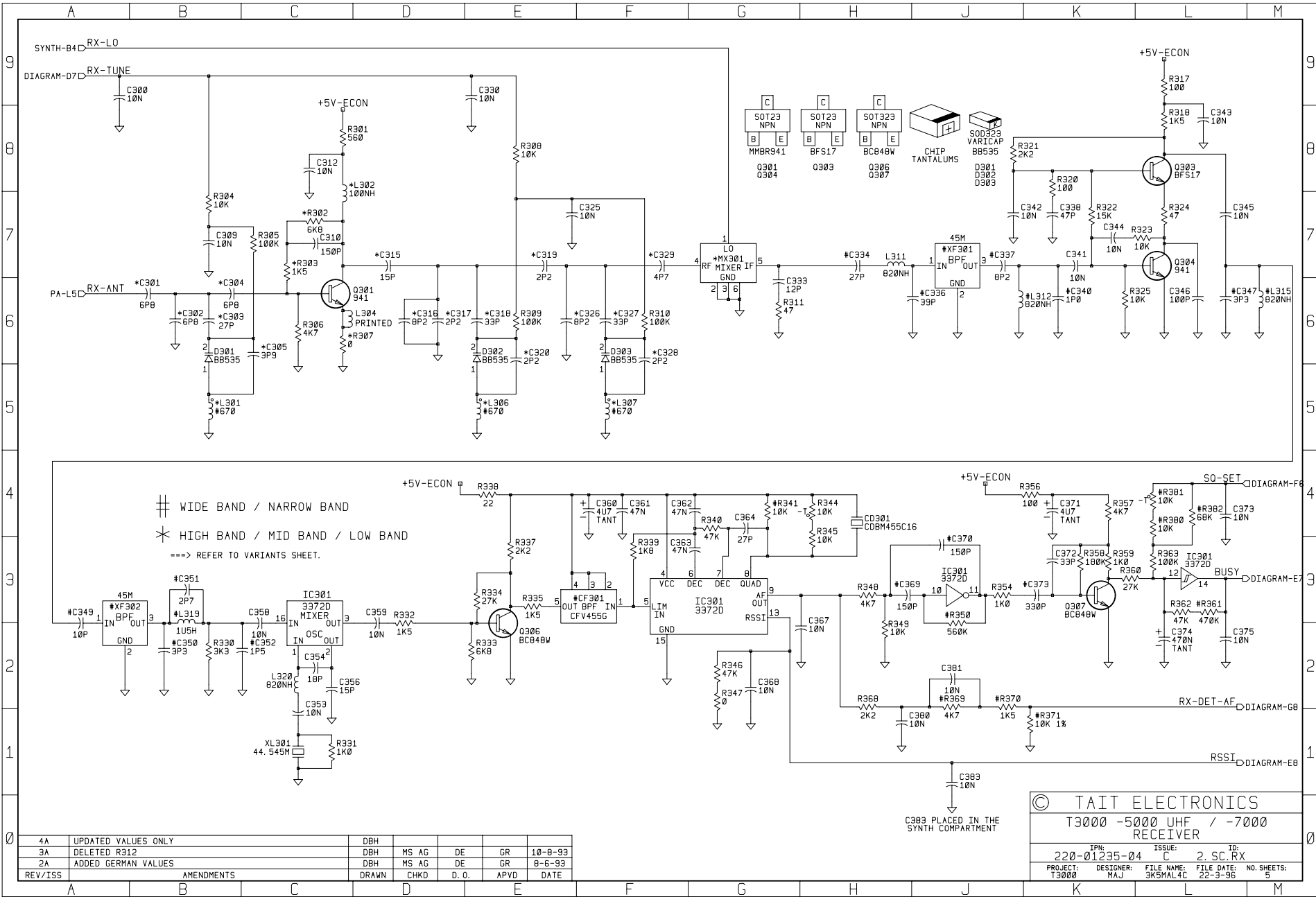


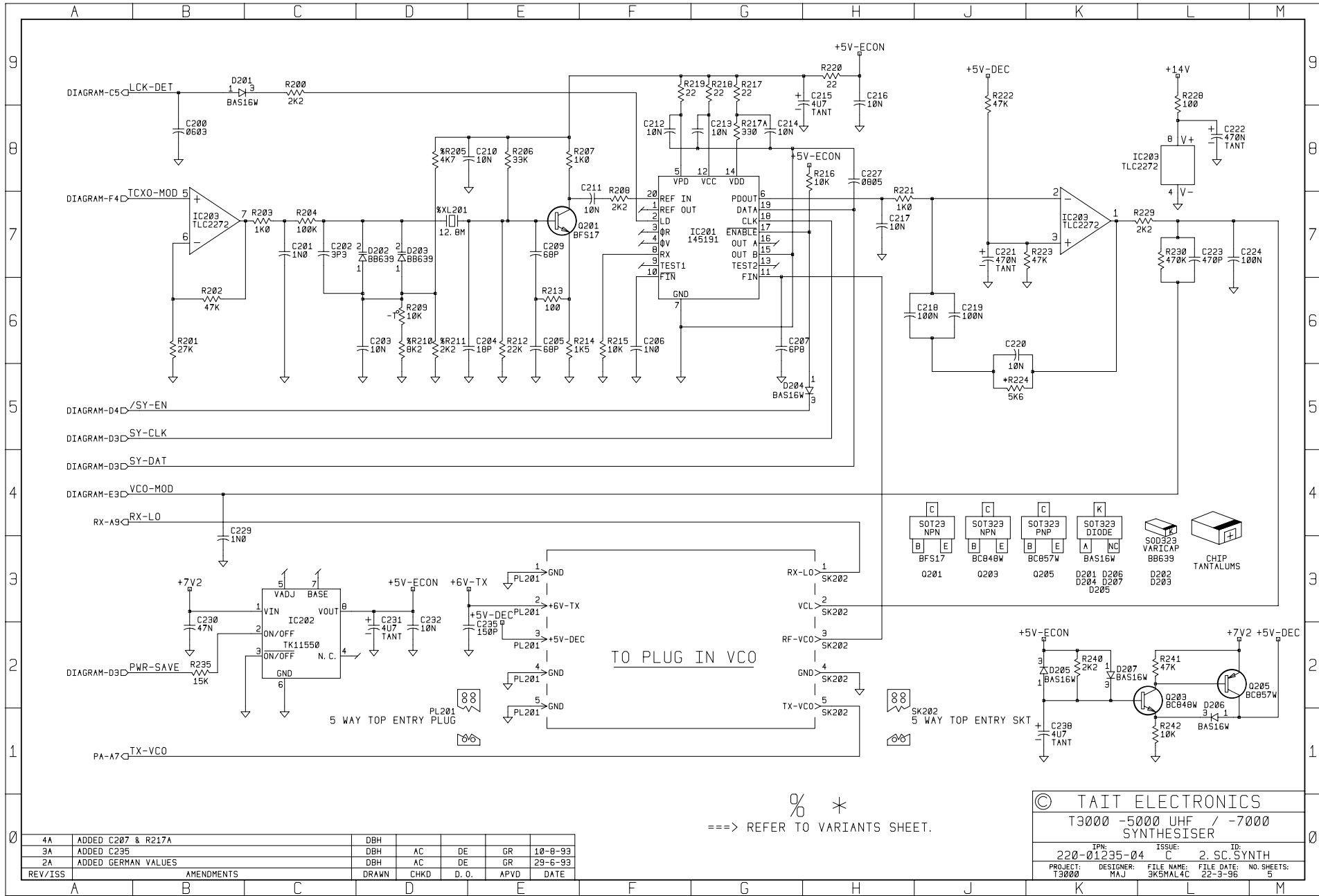
4A	UPDATED VALUES	DBH	CC	DE	GR	10-8-93
3A	ADDED C135	DBH	CC	DE	GR	29-6-93
2A	ADDED GERMAN VALUES	DBH	CC	DE	GR	29-6-93
REV/ISS	AMENDMENTS	DRAWN	CHKD	D. O.	APVD	DATE

© TAIT ELECTRONICS					
T3000-5000 UHF / -7000 POWER AMPLIFIER					
TPN:	220-01235-04	ISSUE:	C	ID:	2. SC.PA
PROJECT:	T3000	DESIGNER:	MAJ	FILE NAME:	3K5MAL4C
				FILE DATE:	22-3-96
				NO. SHEETS:	5



4A	UPDATED VALUES ONLY	DBH	MS AG	DE	GR	10-8-93
3A	DELETED R312	DBH	MS AG	DE	GR	8-6-93
2A	ADDED GERMAN VALUES	DBH	MS AG	DE	GR	8-6-93
REV/ISS	AMENDMENTS	DRAWN	CHKD	D. O.	APVD	DATE

© TAIT ELECTRONICS	
T3000 -5000 UHF / -7000 RECEIVER	
TPN: 220-01235-04	ISSUE: 2, SC.RX
PROJECT: T3000	DESIGNER: MAJ
FILE NAME: 3K5MAL4C	DATE: 22-3-96
NO. SHEETS: 5	



4A	ADDED C207 & R217A	DBH				
3A	ADDED C235	DBH	AC	DE	GR	10-8-93
2A	ADDED GERMAN VALUES	DBH	AC	DE	GR	29-6-93
REV/ISS	AMENDMENTS	DRAWN	CHKD	D. O.	APVD	DATE

==> REFER TO VARIANTS SHEET.

© TAIT ELECTRONICS
 T3000 -5000 UHF / -7000 SYNTHESISER

IPN: 220-01235-04	ISSUE: C	ID: 2. SC SYNTH
PROJECT: T3000	DESIGNER: MAJ	FILE NAME: 3K5MAL4C
		FILE DATE: 22-3-96
		NO. SHEETS: 5

	A	B	C	D	E	F	G	H	J	K	L	M																																																																																																
9	P. A.				<table border="1"> <thead> <tr> <th></th> <th>*FREQ-MHZ</th> <th>*C115</th> <th>*C121</th> <th>*C122</th> <th>*C123</th> <th>*C124</th> <th>*C125</th> <th>*C126</th> <th>*C127</th> <th>*C128</th> <th>*C131</th> <th>*C132</th> </tr> </thead> <tbody> <tr> <td>T3000-51XX</td> <td>400-450</td> <td>2P75200</td> <td>6P85200</td> <td>2P75200</td> <td>6P85200</td> <td>6P85200</td> <td>1P25200</td> <td>3P35200</td> <td>6P85200</td> <td>-</td> <td>0P2J</td> <td>5P6J</td> </tr> <tr> <td>T3000-52XX</td> <td>440-470</td> <td>2P75200</td> <td>6P85200</td> <td>3P35200</td> <td>6P85200</td> <td>6P85200</td> <td>1P25200</td> <td>4P75200</td> <td>6P85200</td> <td>-</td> <td>10PJ</td> <td>6P8J</td> </tr> <tr> <td>T3000-53XX</td> <td>470-520</td> <td>2P75200</td> <td>4P75200</td> <td>3P95200</td> <td>5P65200</td> <td>6P85200</td> <td>-</td> <td>3P95200</td> <td>4P75200</td> <td>-</td> <td>10PJ</td> <td>4P7J</td> </tr> <tr> <td>T3000-70XX</td> <td>340-360</td> <td>3P35200</td> <td>6P85200</td> <td>4P75200</td> <td>4P75200</td> <td>5P65200</td> <td>1P25200</td> <td>4P75200</td> <td>6P85200</td> <td>-</td> <td>12PJ</td> <td>6P8J</td> </tr> <tr> <td>T3000-71XX</td> <td>360-400</td> <td>1P0S</td> <td>0P2S</td> <td>12PS</td> <td>3P9S</td> <td>10PS</td> <td>1P5S</td> <td>4P7S</td> <td>12PS</td> <td>-</td> <td>6P8J</td> <td>10PJ</td> </tr> </tbody> </table>									*FREQ-MHZ	*C115	*C121	*C122	*C123	*C124	*C125	*C126	*C127	*C128	*C131	*C132	T3000-51XX	400-450	2P75200	6P85200	2P75200	6P85200	6P85200	1P25200	3P35200	6P85200	-	0P2J	5P6J	T3000-52XX	440-470	2P75200	6P85200	3P35200	6P85200	6P85200	1P25200	4P75200	6P85200	-	10PJ	6P8J	T3000-53XX	470-520	2P75200	4P75200	3P95200	5P65200	6P85200	-	3P95200	4P75200	-	10PJ	4P7J	T3000-70XX	340-360	3P35200	6P85200	4P75200	4P75200	5P65200	1P25200	4P75200	6P85200	-	12PJ	6P8J	T3000-71XX	360-400	1P0S	0P2S	12PS	3P9S	10PS	1P5S	4P7S	12PS	-	6P8J	10PJ																		
	*FREQ-MHZ	*C115	*C121	*C122	*C123	*C124	*C125	*C126	*C127	*C128	*C131	*C132																																																																																																
T3000-51XX	400-450	2P75200	6P85200	2P75200	6P85200	6P85200	1P25200	3P35200	6P85200	-	0P2J	5P6J																																																																																																
T3000-52XX	440-470	2P75200	6P85200	3P35200	6P85200	6P85200	1P25200	4P75200	6P85200	-	10PJ	6P8J																																																																																																
T3000-53XX	470-520	2P75200	4P75200	3P95200	5P65200	6P85200	-	3P95200	4P75200	-	10PJ	4P7J																																																																																																
T3000-70XX	340-360	3P35200	6P85200	4P75200	4P75200	5P65200	1P25200	4P75200	6P85200	-	12PJ	6P8J																																																																																																
T3000-71XX	360-400	1P0S	0P2S	12PS	3P9S	10PS	1P5S	4P7S	12PS	-	6P8J	10PJ																																																																																																
8	360-400 -71XX				<table border="1"> <thead> <tr> <th></th> <th>FREQ-MHZ</th> <th>*L106</th> <th>*L107</th> <th>*L108</th> <th>*L111</th> <th>*L112</th> <th></th> <th>*R101</th> <th>*R102</th> <th>*R103</th> <th></th> <th>*M100</th> </tr> </thead> <tbody> <tr> <td>T3000-51XX</td> <td>400-450</td> <td>25H30A</td> <td>25H30A</td> <td>25H30A</td> <td>25H35A</td> <td>60NHU</td> <td></td> <td>330J</td> <td>22J</td> <td>330J</td> <td></td> <td>MHW707-1</td> </tr> <tr> <td>T3000-52XX</td> <td>440-470</td> <td>15H45A</td> <td>25H25A</td> <td>15H45A</td> <td>15H45A</td> <td>47NHU</td> <td></td> <td>330J</td> <td>22J</td> <td>330J</td> <td></td> <td>MHW707-2</td> </tr> <tr> <td>T3000-53XX</td> <td>470-520</td> <td>15H40A</td> <td>15H40A</td> <td>15H40A</td> <td>25H30A</td> <td>47NHU</td> <td></td> <td>330J</td> <td>22J</td> <td>330J</td> <td></td> <td>TAIT-MODULE</td> </tr> <tr> <td>T3000-70XX</td> <td>340-360</td> <td>25H40A</td> <td>35H30A</td> <td>25H40A</td> <td>35H30A</td> <td>100NHU</td> <td></td> <td>150J</td> <td>47J</td> <td>150J</td> <td></td> <td>TAIT-MODULE</td> </tr> <tr> <td>T3000-71XX</td> <td>360-400</td> <td>15H35A</td> <td>15H25A</td> <td>15H35A</td> <td>35H25A</td> <td>100NHU</td> <td></td> <td>150J</td> <td>47J</td> <td>150J</td> <td></td> <td>TAIT-MODULE</td> </tr> </tbody> </table>									FREQ-MHZ	*L106	*L107	*L108	*L111	*L112		*R101	*R102	*R103		*M100	T3000-51XX	400-450	25H30A	25H30A	25H30A	25H35A	60NHU		330J	22J	330J		MHW707-1	T3000-52XX	440-470	15H45A	25H25A	15H45A	15H45A	47NHU		330J	22J	330J		MHW707-2	T3000-53XX	470-520	15H40A	15H40A	15H40A	25H30A	47NHU		330J	22J	330J		TAIT-MODULE	T3000-70XX	340-360	25H40A	35H30A	25H40A	35H30A	100NHU		150J	47J	150J		TAIT-MODULE	T3000-71XX	360-400	15H35A	15H25A	15H35A	35H25A	100NHU		150J	47J	150J		TAIT-MODULE																		
	FREQ-MHZ	*L106	*L107	*L108	*L111	*L112		*R101	*R102	*R103		*M100																																																																																																
T3000-51XX	400-450	25H30A	25H30A	25H30A	25H35A	60NHU		330J	22J	330J		MHW707-1																																																																																																
T3000-52XX	440-470	15H45A	25H25A	15H45A	15H45A	47NHU		330J	22J	330J		MHW707-2																																																																																																
T3000-53XX	470-520	15H40A	15H40A	15H40A	25H30A	47NHU		330J	22J	330J		TAIT-MODULE																																																																																																
T3000-70XX	340-360	25H40A	35H30A	25H40A	35H30A	100NHU		150J	47J	150J		TAIT-MODULE																																																																																																
T3000-71XX	360-400	15H35A	15H25A	15H35A	35H25A	100NHU		150J	47J	150J		TAIT-MODULE																																																																																																
7	SYNTH				<table border="1"> <thead> <tr> <th></th> <th>FREQ-MHZ</th> <th>*R224</th> </tr> </thead> <tbody> <tr> <td>T3000-51XX</td> <td>400-450</td> <td>5K6S</td> </tr> <tr> <td>T3000-52XX</td> <td>440-470</td> <td>5K6S</td> </tr> <tr> <td>T3000-53XX</td> <td>470-520</td> <td>4K7S</td> </tr> <tr> <td>T3000-70XX</td> <td>340-360</td> <td>5K6S</td> </tr> <tr> <td>T3000-71XX</td> <td>360-400</td> <td>5K6S</td> </tr> </tbody> </table>									FREQ-MHZ	*R224	T3000-51XX	400-450	5K6S	T3000-52XX	440-470	5K6S	T3000-53XX	470-520	4K7S	T3000-70XX	340-360	5K6S	T3000-71XX	360-400	5K6S																																																																														
	FREQ-MHZ	*R224																																																																																																										
T3000-51XX	400-450	5K6S																																																																																																										
T3000-52XX	440-470	5K6S																																																																																																										
T3000-53XX	470-520	4K7S																																																																																																										
T3000-70XX	340-360	5K6S																																																																																																										
T3000-71XX	360-400	5K6S																																																																																																										
6	360-400 -71XX																																																																																																											
5	RECEIVER				<table border="1"> <thead> <tr> <th></th> <th>FREQ-MHZ</th> <th>*L301</th> <th>*L302</th> <th>*L306</th> <th>*L307</th> <th></th> <th>*R302</th> <th>*R303</th> <th>*R307</th> <th></th> <th>*MX301</th> </tr> </thead> <tbody> <tr> <td>T3000-51XX</td> <td>400-450</td> <td>670</td> <td>100NHU</td> <td>670</td> <td>670</td> <td></td> <td>6K8S</td> <td>1K5J</td> <td>0J</td> <td></td> <td>SMD-K1</td> </tr> <tr> <td>T3000-52XX</td> <td>440-470</td> <td>670</td> <td>02NHU</td> <td>670</td> <td>670</td> <td></td> <td>5K6S</td> <td>2K2J</td> <td>0J</td> <td></td> <td>SMD-K1</td> </tr> <tr> <td>T3000-53XX</td> <td>470-520</td> <td>670</td> <td>60NHU</td> <td>670</td> <td>670</td> <td></td> <td>4K7S</td> <td>3K3J</td> <td>0J</td> <td></td> <td>SMD-K1</td> </tr> <tr> <td>T3000-70XX</td> <td>340-360</td> <td>675</td> <td>100NHU</td> <td>675</td> <td>675</td> <td></td> <td>6K8S</td> <td>1K0J</td> <td>4R7J</td> <td></td> <td>RMS-1</td> </tr> <tr> <td>T3000-71XX</td> <td>360-400</td> <td>675</td> <td>100NHU</td> <td>675</td> <td>675</td> <td></td> <td>6K8S</td> <td>2K2J</td> <td>0J</td> <td></td> <td>SMD-K1</td> </tr> </tbody> </table>									FREQ-MHZ	*L301	*L302	*L306	*L307		*R302	*R303	*R307		*MX301	T3000-51XX	400-450	670	100NHU	670	670		6K8S	1K5J	0J		SMD-K1	T3000-52XX	440-470	670	02NHU	670	670		5K6S	2K2J	0J		SMD-K1	T3000-53XX	470-520	670	60NHU	670	670		4K7S	3K3J	0J		SMD-K1	T3000-70XX	340-360	675	100NHU	675	675		6K8S	1K0J	4R7J		RMS-1	T3000-71XX	360-400	675	100NHU	675	675		6K8S	2K2J	0J		SMD-K1																								
	FREQ-MHZ	*L301	*L302	*L306	*L307		*R302	*R303	*R307		*MX301																																																																																																	
T3000-51XX	400-450	670	100NHU	670	670		6K8S	1K5J	0J		SMD-K1																																																																																																	
T3000-52XX	440-470	670	02NHU	670	670		5K6S	2K2J	0J		SMD-K1																																																																																																	
T3000-53XX	470-520	670	60NHU	670	670		4K7S	3K3J	0J		SMD-K1																																																																																																	
T3000-70XX	340-360	675	100NHU	675	675		6K8S	1K0J	4R7J		RMS-1																																																																																																	
T3000-71XX	360-400	675	100NHU	675	675		6K8S	2K2J	0J		SMD-K1																																																																																																	
4	360-400 -71XX				<table border="1"> <thead> <tr> <th></th> <th>FREQ-MHZ</th> <th>*C301</th> <th>*C302</th> <th>*C303</th> <th>*C304</th> <th>*C305</th> <th>*C315</th> <th>*C316</th> <th>*C317</th> <th>*C318</th> <th>*C319</th> <th>*C320</th> <th>*C327</th> <th>*C328</th> <th>*C329</th> </tr> </thead> <tbody> <tr> <td>T3000-51XX</td> <td>400-450</td> <td>6PBJ</td> <td>6PBJ</td> <td>27PJ</td> <td>6PBJ</td> <td>3P9J</td> <td>15PJ</td> <td>0P2J</td> <td>2P2J</td> <td>33PJ</td> <td>2P2J</td> <td>2P2J</td> <td>0P2J</td> <td>33PJ</td> <td>4P7J</td> </tr> <tr> <td>T3000-52XX</td> <td>440-470</td> <td>6PBJ</td> <td>6PBJ</td> <td>10PJ</td> <td>6PBJ</td> <td>5P6J</td> <td>15PJ</td> <td>6P8J</td> <td>2P2J</td> <td>10PJ</td> <td>2P2J</td> <td>4P7J</td> <td>6P8J</td> <td>10PJ</td> <td>4P7J</td> </tr> <tr> <td>T3000-53XX</td> <td>470-520</td> <td>6PBJ</td> <td>4P7J</td> <td>12PJ</td> <td>6PBJ</td> <td>4P7J</td> <td>12PJ</td> <td>5P6J</td> <td>1P0J</td> <td>15PJ</td> <td>1P0J</td> <td>-</td> <td>5P6J</td> <td>15PJ</td> <td>3P9J</td> </tr> <tr> <td>T3000-70XX</td> <td>340-360</td> <td>5P6J</td> <td>3P3J</td> <td>27PJ</td> <td>5P6J</td> <td>5P6J</td> <td>3P9J</td> <td>6P0J</td> <td>1P8J</td> <td>33PJ</td> <td>1P5J</td> <td>2P7J</td> <td>6P0J</td> <td>33PJ</td> <td>2P7J</td> </tr> <tr> <td>T3000-71XX</td> <td>360-400</td> <td>10PJ</td> <td>12PJ</td> <td>47PJ</td> <td>10PJ</td> <td>6P8J</td> <td>22PJ</td> <td>10PJ</td> <td>2P7J</td> <td>56PJ</td> <td>2P2J</td> <td>3P9J</td> <td>10PJ</td> <td>56PJ</td> <td>3P9J</td> </tr> </tbody> </table>									FREQ-MHZ	*C301	*C302	*C303	*C304	*C305	*C315	*C316	*C317	*C318	*C319	*C320	*C327	*C328	*C329	T3000-51XX	400-450	6PBJ	6PBJ	27PJ	6PBJ	3P9J	15PJ	0P2J	2P2J	33PJ	2P2J	2P2J	0P2J	33PJ	4P7J	T3000-52XX	440-470	6PBJ	6PBJ	10PJ	6PBJ	5P6J	15PJ	6P8J	2P2J	10PJ	2P2J	4P7J	6P8J	10PJ	4P7J	T3000-53XX	470-520	6PBJ	4P7J	12PJ	6PBJ	4P7J	12PJ	5P6J	1P0J	15PJ	1P0J	-	5P6J	15PJ	3P9J	T3000-70XX	340-360	5P6J	3P3J	27PJ	5P6J	5P6J	3P9J	6P0J	1P8J	33PJ	1P5J	2P7J	6P0J	33PJ	2P7J	T3000-71XX	360-400	10PJ	12PJ	47PJ	10PJ	6P8J	22PJ	10PJ	2P7J	56PJ	2P2J	3P9J	10PJ	56PJ	3P9J
	FREQ-MHZ	*C301	*C302	*C303	*C304	*C305	*C315	*C316	*C317	*C318	*C319	*C320	*C327	*C328	*C329																																																																																													
T3000-51XX	400-450	6PBJ	6PBJ	27PJ	6PBJ	3P9J	15PJ	0P2J	2P2J	33PJ	2P2J	2P2J	0P2J	33PJ	4P7J																																																																																													
T3000-52XX	440-470	6PBJ	6PBJ	10PJ	6PBJ	5P6J	15PJ	6P8J	2P2J	10PJ	2P2J	4P7J	6P8J	10PJ	4P7J																																																																																													
T3000-53XX	470-520	6PBJ	4P7J	12PJ	6PBJ	4P7J	12PJ	5P6J	1P0J	15PJ	1P0J	-	5P6J	15PJ	3P9J																																																																																													
T3000-70XX	340-360	5P6J	3P3J	27PJ	5P6J	5P6J	3P9J	6P0J	1P8J	33PJ	1P5J	2P7J	6P0J	33PJ	2P7J																																																																																													
T3000-71XX	360-400	10PJ	12PJ	47PJ	10PJ	6P8J	22PJ	10PJ	2P7J	56PJ	2P2J	3P9J	10PJ	56PJ	3P9J																																																																																													
3	# WIDE BAND / NARROW BAND / GERMAN BAND -XX1X -XX2X -XX3X				<table border="1"> <thead> <tr> <th></th> <th>#BANDWIDTH</th> <th>*C334</th> <th>*C336</th> <th>*C337</th> <th>*C340</th> <th>*C347</th> <th>*C349</th> <th>*C350</th> <th>*C351</th> <th>*C352</th> <th>*C369</th> <th>*C370</th> <th>*C373</th> </tr> </thead> <tbody> <tr> <td>T3000-XX2X</td> <td>7.5KHZ</td> <td>27PJ</td> <td>39PJ</td> <td>0P2J</td> <td>1P0J</td> <td>3P9J</td> <td>10PJ</td> <td>3P3J</td> <td>2P7J</td> <td>1P5J</td> <td>150PS</td> <td>150PS</td> <td>330PS</td> </tr> <tr> <td>T3000-XX1X</td> <td>15KHZ</td> <td>02PJ</td> <td>22PJ</td> <td>10NJ</td> <td>-</td> <td>-</td> <td>10NJ</td> <td>6P8J</td> <td>-</td> <td>-</td> <td>120PS</td> <td>120PS</td> <td>180PS</td> </tr> <tr> <td>T3000-XX3X</td> <td>12.5KHZ</td> <td>47PJ</td> <td>27PJ</td> <td>5P6J</td> <td>4P7J</td> <td>0P2J</td> <td>5P6J</td> <td>0P2J</td> <td>-</td> <td>-</td> <td>120PS</td> <td>120PS</td> <td>180PS</td> </tr> </tbody> </table>									#BANDWIDTH	*C334	*C336	*C337	*C340	*C347	*C349	*C350	*C351	*C352	*C369	*C370	*C373	T3000-XX2X	7.5KHZ	27PJ	39PJ	0P2J	1P0J	3P9J	10PJ	3P3J	2P7J	1P5J	150PS	150PS	330PS	T3000-XX1X	15KHZ	02PJ	22PJ	10NJ	-	-	10NJ	6P8J	-	-	120PS	120PS	180PS	T3000-XX3X	12.5KHZ	47PJ	27PJ	5P6J	4P7J	0P2J	5P6J	0P2J	-	-	120PS	120PS	180PS																																								
	#BANDWIDTH	*C334	*C336	*C337	*C340	*C347	*C349	*C350	*C351	*C352	*C369	*C370	*C373																																																																																															
T3000-XX2X	7.5KHZ	27PJ	39PJ	0P2J	1P0J	3P9J	10PJ	3P3J	2P7J	1P5J	150PS	150PS	330PS																																																																																															
T3000-XX1X	15KHZ	02PJ	22PJ	10NJ	-	-	10NJ	6P8J	-	-	120PS	120PS	180PS																																																																																															
T3000-XX3X	12.5KHZ	47PJ	27PJ	5P6J	4P7J	0P2J	5P6J	0P2J	-	-	120PS	120PS	180PS																																																																																															
2	BANDWIDTH				<table border="1"> <thead> <tr> <th></th> <th>#R341</th> <th>#R350</th> <th>#R361</th> <th>#R369</th> <th>#R370</th> <th>#R371</th> <th>#R380</th> <th>#R381</th> <th>#R382</th> </tr> </thead> <tbody> <tr> <td>T3000-XX2X</td> <td>7.5KHZ</td> <td>10KJ</td> <td>560KS</td> <td>470KS</td> <td>4K7J</td> <td>1K5S</td> <td>10KS1</td> <td>10KJ</td> <td>10KSNTC</td> </tr> <tr> <td>T3000-XX1X</td> <td>15KHZ</td> <td>4K7J</td> <td>560KS</td> <td>470KS</td> <td>4K7J</td> <td>2K7S</td> <td>10KS1</td> <td>-</td> <td>22KS</td> </tr> <tr> <td>T3000-XX3X</td> <td>12.5KHZ</td> <td>6K8J</td> <td>390KS</td> <td>620KS</td> <td>6K8J</td> <td>4K7S</td> <td>10KS1</td> <td>10KJ</td> <td>10KSNTC</td> </tr> </tbody> </table>									#R341	#R350	#R361	#R369	#R370	#R371	#R380	#R381	#R382	T3000-XX2X	7.5KHZ	10KJ	560KS	470KS	4K7J	1K5S	10KS1	10KJ	10KSNTC	T3000-XX1X	15KHZ	4K7J	560KS	470KS	4K7J	2K7S	10KS1	-	22KS	T3000-XX3X	12.5KHZ	6K8J	390KS	620KS	6K8J	4K7S	10KS1	10KJ	10KSNTC																																																								
	#R341	#R350	#R361	#R369	#R370	#R371	#R380	#R381	#R382																																																																																																			
T3000-XX2X	7.5KHZ	10KJ	560KS	470KS	4K7J	1K5S	10KS1	10KJ	10KSNTC																																																																																																			
T3000-XX1X	15KHZ	4K7J	560KS	470KS	4K7J	2K7S	10KS1	-	22KS																																																																																																			
T3000-XX3X	12.5KHZ	6K8J	390KS	620KS	6K8J	4K7S	10KS1	10KJ	10KSNTC																																																																																																			
1	BANDWIDTH				<table border="1"> <thead> <tr> <th></th> <th>#L312</th> <th>#L315</th> <th>#L319</th> <th>#XF301</th> <th>#XF302</th> <th>#CF301</th> </tr> </thead> <tbody> <tr> <td>T3000-XX2X</td> <td>7.5KHZ</td> <td>020NHU</td> <td>020NHU</td> <td>1U5HU</td> <td>45F7.5A</td> <td>45F7.5A</td> </tr> <tr> <td>T3000-XX1X</td> <td>15KHZ</td> <td>6U8HU</td> <td>-</td> <td>3U3HU</td> <td>45F15A</td> <td>45F15A</td> </tr> <tr> <td>T3000-XX3X</td> <td>12.5KHZ</td> <td>020NHU</td> <td>020NHU</td> <td>3U3HU</td> <td>45F12A</td> <td>45F12A</td> </tr> </tbody> </table>									#L312	#L315	#L319	#XF301	#XF302	#CF301	T3000-XX2X	7.5KHZ	020NHU	020NHU	1U5HU	45F7.5A	45F7.5A	T3000-XX1X	15KHZ	6U8HU	-	3U3HU	45F15A	45F15A	T3000-XX3X	12.5KHZ	020NHU	020NHU	3U3HU	45F12A	45F12A																																																																				
	#L312	#L315	#L319	#XF301	#XF302	#CF301																																																																																																						
T3000-XX2X	7.5KHZ	020NHU	020NHU	1U5HU	45F7.5A	45F7.5A																																																																																																						
T3000-XX1X	15KHZ	6U8HU	-	3U3HU	45F15A	45F15A																																																																																																						
T3000-XX3X	12.5KHZ	020NHU	020NHU	3U3HU	45F12A	45F12A																																																																																																						
0	% TCXO - SYNTH				<table border="1"> <thead> <tr> <th></th> <th>*TCX0</th> <th>*R205</th> <th>*R210</th> <th>*R211</th> <th>*XL201</th> </tr> </thead> <tbody> <tr> <td>T3000-XXX1</td> <td>5PPM-10/+600</td> <td>4K7S</td> <td>0K2S</td> <td>2K2S</td> <td>TE/45</td> </tr> <tr> <td>T3000-XXX2</td> <td>3PPM-10/+500</td> <td>0K2S</td> <td>3K3S</td> <td>1K5S</td> <td>TE/44</td> </tr> <tr> <td>T3000-XXX3</td> <td>5PPM-20/+500</td> <td>0K2S</td> <td>3K3S</td> <td>1K5S</td> <td>TE/46</td> </tr> </tbody> </table>									*TCX0	*R205	*R210	*R211	*XL201	T3000-XXX1	5PPM-10/+600	4K7S	0K2S	2K2S	TE/45	T3000-XXX2	3PPM-10/+500	0K2S	3K3S	1K5S	TE/44	T3000-XXX3	5PPM-20/+500	0K2S	3K3S	1K5S	TE/46																																																																								
	*TCX0	*R205	*R210	*R211	*XL201																																																																																																							
T3000-XXX1	5PPM-10/+600	4K7S	0K2S	2K2S	TE/45																																																																																																							
T3000-XXX2	3PPM-10/+500	0K2S	3K3S	1K5S	TE/44																																																																																																							
T3000-XXX3	5PPM-20/+500	0K2S	3K3S	1K5S	TE/46																																																																																																							
	<table border="1"> <thead> <tr> <th colspan="11">PACKAGE CODES</th> </tr> </thead> <tbody> <tr> <td>*J</td> <td colspan="10">0603 CHIP</td> </tr> <tr> <td>*S200</td> <td colspan="10">0805 200V CHIP CAP</td> </tr> <tr> <td>*S1</td> <td colspan="10">0805 1% CHIP RES</td> </tr> <tr> <td>*S</td> <td colspan="10">0805 CHIP</td> </tr> <tr> <td>*T</td> <td colspan="10">1206 CHIP</td> </tr> <tr> <td>*U</td> <td colspan="10">1210 CHIP INDUCTOR</td> </tr> </tbody> </table>											PACKAGE CODES											*J	0603 CHIP										*S200	0805 200V CHIP CAP										*S1	0805 1% CHIP RES										*S	0805 CHIP										*T	1206 CHIP										*U	1210 CHIP INDUCTOR																													
PACKAGE CODES																																																																																																												
*J	0603 CHIP																																																																																																											
*S200	0805 200V CHIP CAP																																																																																																											
*S1	0805 1% CHIP RES																																																																																																											
*S	0805 CHIP																																																																																																											
*T	1206 CHIP																																																																																																											
*U	1210 CHIP INDUCTOR																																																																																																											
	<table border="1"> <thead> <tr> <th colspan="11">TAIT ELECTRONICS</th> </tr> </thead> <tbody> <tr> <td colspan="11" style="text-align: center;">T3000 -5000 UHF / -7000 VARIANTS</td> </tr> <tr> <td colspan="3">PROJECT: T3000</td> <td colspan="3">DESIGNER: MAJ</td> <td colspan="3">FILE NAME: 3K5MAL4C</td> <td colspan="2">ISSUE: C</td> <td colspan="2">ID: 2. SC.VARIANTS</td> </tr> <tr> <td colspan="3">REV/ISS</td> <td colspan="3">AMENDMENTS</td> <td colspan="3">DRAWN</td> <td colspan="3">CHKD</td> <td colspan="2">D. O.</td> </tr> </tbody> </table>											TAIT ELECTRONICS											T3000 -5000 UHF / -7000 VARIANTS											PROJECT: T3000			DESIGNER: MAJ			FILE NAME: 3K5MAL4C			ISSUE: C		ID: 2. SC.VARIANTS		REV/ISS			AMENDMENTS			DRAWN			CHKD			D. O.																																																	
TAIT ELECTRONICS																																																																																																												
T3000 -5000 UHF / -7000 VARIANTS																																																																																																												
PROJECT: T3000			DESIGNER: MAJ			FILE NAME: 3K5MAL4C			ISSUE: C		ID: 2. SC.VARIANTS																																																																																																	
REV/ISS			AMENDMENTS			DRAWN			CHKD			D. O.																																																																																																
	<table border="1"> <thead> <tr> <th>4A</th> <th colspan="4">UPDATED VALUES</th> <th>DBH</th> <th></th> <th></th> <th></th> <th></th> <th></th> <th></th> </tr> </thead> <tbody> <tr> <td>3A</td> <td colspan="4">UPDATED LOW-MID BANDS</td> <td>DBH</td> <td>ALL</td> <td>DE</td> <td>GR</td> <td>10-8-93</td> <td></td> <td></td> </tr> <tr> <td>2A</td> <td colspan="4">ADDED GERMAN VALUES</td> <td>DBH</td> <td>ALL</td> <td>DE</td> <td>GR</td> <td>29-6-93</td> <td></td> <td></td> </tr> <tr> <td>REV/ISS</td> <td colspan="4">AMENDMENTS</td> <td>DRAWN</td> <td>CHKD</td> <td>D. O.</td> <td>APVD</td> <td>DATE</td> <td></td> <td></td> </tr> </tbody> </table>											4A	UPDATED VALUES				DBH							3A	UPDATED LOW-MID BANDS				DBH	ALL	DE	GR	10-8-93			2A	ADDED GERMAN VALUES				DBH	ALL	DE	GR	29-6-93			REV/ISS	AMENDMENTS				DRAWN	CHKD	D. O.	APVD	DATE																																																			
4A	UPDATED VALUES				DBH																																																																																																							
3A	UPDATED LOW-MID BANDS				DBH	ALL	DE	GR	10-8-93																																																																																																			
2A	ADDED GERMAN VALUES				DBH	ALL	DE	GR	29-6-93																																																																																																			
REV/ISS	AMENDMENTS				DRAWN	CHKD	D. O.	APVD	DATE																																																																																																			



CHIP TANTALUMS

6.10 T3000-5000/-7000 RF PCB

T3000-5000/-7000 Parts List (IPN 220-01235-05)

Parts List Amendments

Ref	Var	IPN	Description	Ref	Var	IPN	Description
C101		018-13150-00	CAP 0603 CHIP 150P 50V NPO +-5%	*C132	71XX	018-12100-00	CAP 0603 CHIP 10P 50V NPO +-0.25P
C102		015-25470-08	CAP CER 0805 CHIP 47N 10% X7R 50V	C135		018-13150-00	CAP 0603 CHIP 150P 50V NPO +-5%
C103		018-13150-08	CAP CER 0805 CHIP 47N 10% X7R 50V	C136		018-14100-00	CAP 0603 CHIP 1N 50V X7R +-10%
C104		014-07470-00	CAP TANT CHIP 4U7 3.5 X 2.8MM 267 SERIE	C138		018-15100-00	CAP 0603 CHIP 10N 50V X7R +-10%
C105		014-07470-00	CAP TANT CHIP 4U7 3.5 X 2.8MM 267 SERIE	C139		015-24470-08	CAP CER 0805 CHIP 4N7 10% X7R 50V
C106		018-15100-00	CAP 0603 CHIP 10N 50V X7R +-10%	C201		018-14100-00	CAP 0603 CHIP 1N 50V X7R +-10%
C107		018-15100-00	CAP 0603 CHIP 10N 50V X7R +-10%	C202		018-11330-00	CAP 0603 CHIP 3P3 50V +-0.25P
C109		018-15100-00	CAP 0603 CHIP 10N 50V X7R +-10%	C203		018-15100-00	CAP 0603 CHIP 10N 50V X7R +-10%
C110		018-13150-00	CAP 0603 CHIP 150P 50V NPO +-5%	C204		018-12180-00	CAP 0603 CHIP 18P 50V NPO +-5%
C111		015-23150-01	CAP CER 0805 CHIP 150P 5% NPO 50V	C205		015-22680-01	CAP CER 0805 CHIP 68P 5% NPO 50V
C112		018-15100-00	CAP 0603 CHIP 10N 50V X7R +-10%	C206		018-14100-00	CAP 0603 CHIP 1N 50V X7R +-10%
C113		018-15100-00	CAP 0603 CHIP 10N 50V X7R +-10%	C207		018-11680-00	CAP 0603 CHIP 6P8 50V NPO +-0.25P
*C115	51XX	015-21270-20	CAP CER 0805 CHIP 2P7 +-0P25 200V	C209		015-22680-01	CAP CER 0805 CHIP 68P 5% NPO 50V
*C115	52XX	015-21270-20	CAP CER 0805 CHIP 2P7 +-0P25 200V	C210		018-15100-00	CAP 0603 CHIP 10N 50V X7R +-10%
*C115	53XX	015-21270-20	CAP CER 0805 CHIP 2P7 +-0P25 200V	C211		018-15100-00	CAP 0603 CHIP 10N 50V X7R +-10%
*C115	70XX	015-21330-20	CAP CER 0805 CHIP 3P3 +-0P25 200V	C212		018-15100-00	CAP 0603 CHIP 10N 50V X7R +-10%
*C115	71XX	015-21100-01	CAP CER 0805 CHIP 1P0 +/-0.25P NPO	C213		018-15100-00	CAP 0603 CHIP 10N 50V X7R +-10%
C120		015-23150-01	CAP CER 0805 CHIP 150P 5% NPO 50V	C214		018-15100-00	CAP 0603 CHIP 10N 50V X7R +-10%
*C121	51XX	015-21680-20	CAP CER 0805 CHIP 6P8 +-0P25 200V	C215		014-07470-00	CAP TANT CHIP 4U7 3.5 X 2.8MM 267 SERIE
*C121	52XX	015-21680-20	CAP CER 0805 CHIP 6P8 +-0P25 200V	C216		018-15100-00	CAP 0603 CHIP 10N 50V X7R +-10%
*C121	53XX	015-21470-20	CAP CER 0805 CHIP 4P7 +-0P25 200V	C217		018-15100-00	CAP 0603 CHIP 10N 50V X7R +-10%
*C121	70XX	015-21680-20	CAP CER 0805 CHIP 6P8 +-0P25 200V	C218		015-06100-08	CAP CER 1206 CHIP 100N 10% X7R 50V
*C121	71XX	015-21820-01	CAP CER 0805 CHIP 8P2 +/-0.25P NPO	C219		015-06100-08	CAP CER 1206 CHIP 100N 10% X7R 50V
*C122	51XX	015-21270-20	CAP CER 0805 CHIP 2P7 +-0P25 200V	C220		018-15100-00	CAP 0603 CHIP 10N 50V X7R +-10%
*C122	52XX	015-21330-20	CAP CER 0805 CHIP 3P3 +-0P25 200V	C221		014-06470-00	CAP TANT CHIP 470N 25V +-20% 6X3.2X2.5M
*C122	53XX	015-21390-20	CAP CER 0805 CHIP 3P9 +-0P25 200V	C222		014-06470-00	CAP TANT CHIP 470N 25V +-20% 6X3.2X2.5M
*C122	70XX	015-21470-20	CAP CER 0805 CHIP 4P7 +-0P25 200V	C223		015-23470-08	CAP CER 0805 CHIP 470P 10% X7R 50V
*C122	71XX	015-22120-01	CAP CER 0805 CHIP 12P 5% NPO 50V	C224		015-06100-08	CAP CER 1206 CHIP 100N 10% X7R 50V
*C123	51XX	015-21680-20	CAP CER 0805 CHIP 6P8 +-0P25 200V	C229		018-14100-00	CAP 0603 CHIP 1N 50V X7R +-10%
*C123	52XX	015-21680-20	CAP CER 0805 CHIP 6P8 +-0P25 200V	C230		015-25470-08	CAP CER 0805 CHIP 47N 10% X7R 50V
*C123	53XX	015-21560-20	CAP CER 0805 CHIP 5P6 +-0P25 200V	C231		014-07470-00	CAP TANT CHIP 4U7 3.5 X 2.8MM 267 SERIE
*C123	70XX	015-21470-20	CAP CER 0805 CHIP 4P7 +-0P25 200V	C232		018-15100-00	CAP 0603 CHIP 10N 50V X7R +-10%
*C123	71XX	015-21390-01	CAP CER 0805 CHIP 3P9 +/-0.25P NPO	C235		018-13150-00	CAP 0603 CHIP 150P 50V NPO +-5%
*C124	51XX	015-21680-20	CAP CER 0805 CHIP 6P8 +-0P25 200V	C238		014-07470-00	CAP TANT CHIP 4U7 3.5 X 2.8MM 267 SERIE
*C124	52XX	015-21680-20	CAP CER 0805 CHIP 6P8 +-0P25 200V	C300		018-15100-00	CAP 0603 CHIP 10N 50V X7R +-10%
*C124	53XX	015-21470-20	CAP CER 0805 CHIP 6P8 +-0P25 200V	CD301		276-00010-63	DISCRIMINATOR CER 455KHZ CDB455C16
*C124	70XX	015-21560-20	CAP CER 0805 CHIP 5P6 +-0P25 200V	#CF301	XX0X	276-00010-72	FLTR CER 455KHZ 16KHZ B/W CFV455E
*C124	71XX	015-22180-01	CAP CER 0805 CHIP 18P 5% NPO 50V	#CF301	XX1X	276-00010-66	FLTR CER 455KHZ 20KHZ B/W CFV455D
*C125	51XX	015-21120-20	CAP CER 0805 CHIP 1P2 +-0P25 200V	#CF301	XX2X	276-00010-67	FLTR CER 455KHZ 8KHZ B/W CFV455G
*C125	52XX	015-21120-20	CAP CER 0805 CHIP 1P2 +-0P25 200V	#CF301	XX3X	276-00010-72	FLTR CER 455KHZ 16KHZ B/W CFV455E
*C125	70XX	015-21120-20	CAP CER 0805 CHIP 1P2 +-0P25 200V	*C301	51XX	018-11680-00	CAP 0603 CHIP 6P8 50V NPO +-0.25P
*C125	71XX	015-21150-01	CAP CER 0805 CHIP 1P5 +/-0.25P NPO	*C301	52XX	018-11680-00	CAP 0603 CHIP 6P8 50V NPO +-0.25P
*C126	51XX	015-21330-20	CAP CER 0805 CHIP 3P3 +-0P25 200V	*C301	53XX	018-11680-00	CAP 0603 CHIP 6P8 50V NPO +-0.25P
*C126	52XX	015-21470-20	CAP CER 0805 CHIP 4P7 +-0P25 200V	*C301	70XX	018-11560-00	CAP 0603 CHIP 5P6 50V NPO +-0.25P
*C126	53XX	015-21390-20	CAP CER 0805 CHIP 3P9 +-0P25 200V	*C301	71XX	018-12100-00	CAP 0603 CHIP 10P 50V NPO +-0.25P
*C126	70XX	015-21470-20	CAP CER 0805 CHIP 4P7 +-0P25 200V	*C302	51XX	018-11680-00	CAP 0603 CHIP 6P8 50V NPO +-0.25P
*C126	71XX	015-21470-01	CAP CER 0805 CHIP 4P7 +/-0.25P NPO	*C302	52XX	018-11680-00	CAP 0603 CHIP 6P8 50V NPO +-0.25P
*C127	51XX	015-21680-20	CAP CER 0805 CHIP 6P8 +-0P25 200V	*C302	53XX	018-11470-00	CAP 0603 CHIP 4P7 50V NPO +-0.25P
*C127	52XX	015-21680-20	CAP CER 0805 CHIP 6P8 +-0P25 200V	*C302	70XX	018-11330-00	CAP 0603 CHIP 3P3 50V +-0.25P
*C127	53XX	015-21470-20	CAP CER 0805 CHIP 4P7 +-0P25 200V	*C302	71XX	018-12120-00	CAP 0603 CHIP 12P 50V NPO +-5%
*C127	70XX	015-21680-20	CAP CER 0805 CHIP 6P8 +-0P25 200V	*C303	51XX	018-12270-00	CAP 0603 CHIP 27P 50V NPO +-5%
*C127	71XX	015-22120-01	CAP CER 0805 CHIP 12P 5% NPO 50V	*C303	52XX	018-12180-00	CAP 0603 CHIP 18P 50V NPO +-5%
*C131	51XX	018-11820-00	CAP 0603 CHIP 8P2 50V NPO +-0.25P	*C303	53XX	018-12120-00	CAP 0603 CHIP 12P 50V NPO +-5%
*C131	52XX	018-12100-00	CAP 0603 CHIP 10P 50V NPO +-0.25P	*C303	70XX	018-12270-00	CAP 0603 CHIP 27P 50V NPO +-5%
*C131	53XX	018-12100-00	CAP 0603 CHIP 10P 50V NPO +-0.25P	*C303	71XX	018-12470-00	CAP 0603 CHIP 47P 50V NPO +-5%
*C131	70XX	018-12120-00	CAP 0603 CHIP 12P 50V NPO +-5%	*C304	51XX	018-11680-00	CAP 0603 CHIP 6P8 50V NPO +-0.25P
*C131	71XX	018-11680-00	CAP 0603 CHIP 6P8 50V NPO +-0.25P	*C304	52XX	018-11680-00	CAP 0603 CHIP 6P8 50V NPO +-0.25P
*C132	51XX	018-11560-00	CAP 0603 CHIP 5P6 50V NPO +-0.25P	*C304	53XX	018-11680-00	CAP 0603 CHIP 6P8 50V NPO +-0.25P
*C132	52XX	018-11680-00	CAP 0603 CHIP 6P8 50V NPO +-0.25P	*C304	70XX	018-11560-00	CAP 0603 CHIP 5P6 50V NPO +-0.25P
*C132	53XX	018-11470-00	CAP 0603 CHIP 4P7 50V NPO +-0.25P	*C304	71XX	018-12100-00	CAP 0603 CHIP 10P 50V NPO +-0.25P
*C132	70XX	018-11680-00	CAP 0603 CHIP 6P8 50V NPO +-0.25P	*C305	51XX	018-11390-00	CAP 0603 CHIP 3P9 50V NPO +-0.25P
				*C305	52XX	018-11560-00	CAP 0603 CHIP 5P6 50V NPO +-0.25P

Ref	Var	IPN	Description
R310		038-16100-00	RES 0603 CHIP 100K 1/16W +5%
R311		038-12470-00	RES 0603 CHIP 47E 1/16W +5%
#R312	XX0X	038-12470-00	RES 0603 CHIP 47E 1/16W +5%
#R312	XX1X	038-12470-00	RES 0603 CHIP 47E 1/16W +5%
#R312	XX3X	038-12470-00	RES 0603 CHIP 47E 1/16W +5%
#R313	XX0X	038-13330-00	RES 0603 CHIP 330E 1/16W +5%
#R313	XX1X	038-13330-00	RES 0603 CHIP 330E 1/16W +5%
#R313	XX3X	038-13330-00	RES 0603 CHIP 330E 1/16W +5%
R314		038-14470-00	RES 0603 CHIP 4K7 1/16W +5%
#R315	XX0X	038-13680-00	RES 0603 CHIP 680E 1/16W +5%
#R315	XX1X	038-13680-00	RES 0603 CHIP 680E 1/16W +5%
#R315	XX3X	038-13680-00	RES 0603 CHIP 680E 1/16W +5%
#R316	XX0X	038-15100-00	RES 0603 CHIP 10K 1/16W +5%
#R316	XX1X	038-15100-00	RES 0603 CHIP 10K 1/16W +5%
#R316	XX3X	038-15100-00	RES 0603 CHIP 10K 1/16W +5%
R317		038-13100-00	RES 0603 CHIP 100E 1/16W +5%
R318		038-14150-00	RES 0603 CHIP 1K5 1/16W +5%
R319		038-12470-00	RES 0603 CHIP 47E 1/16W +5%
R320		038-13100-00	RES 0603 CHIP 100E 1/16W +5%
R321		038-14220-00	RES 0603 CHIP 2K2 1/16W +5%
R322		038-15150-00	RES 0603 CHIP 15K 1/16W +5%
R323		038-15100-00	RES 0603 CHIP 10K 1/16W +5%
R324		038-12470-00	RES 0603 CHIP 47E 1/16W +5%
R325		038-15100-00	RES 0603 CHIP 10K 1/16W +5%
R330		038-14330-00	RES 0603 CHIP 3K3 1/16W +5%
R331		038-14100-00	RES 0603 CHIP 1K0 1/16W +5%
R332		038-14150-00	RES 0603 CHIP 1K5 1/16W +5%
R333		038-14680-00	RES 0603 CHIP 6K8 1/16W +5%
R334		038-15270-00	RES 0603 CHIP 27K 1/16W +5%
R335		038-14150-00	RES 0603 CHIP 1K5 1/16W +5%
R337		038-14220-00	RES 0603 CHIP 2K2 1/16W +5%
R338		038-12220-00	RES 0603 CHIP 22E 1/16W +5%
R339		036-14180-00	RES M/F 0805 CHIP 1K8 5%
R340		038-15470-00	RES 0603 CHIP 47K 1/16W +5%
#R341	XX0X	038-14680-00	RES 0603 CHIP 6K8 1/16W +5%
#R341	XX1X	038-14470-00	RES 0603 CHIP 4K7 1/16W +5%
#R341	XX2X	038-15100-00	RES 0603 CHIP 10K 1/16W +5%
#R341	XX3X	038-14680-00	RES 0603 CHIP 6K8 1/16W +5%
R344		045-15100-00	RES NTC SMD 10K 5%
R345		038-15100-00	RES 0603 CHIP 10K 1/16W +5%
R346		038-15470-00	RES 0603 CHIP 47K 1/16W +5%
R347		036-10000-00	RES M/F 0805 CHIP ZERO OHM
R348		038-14470-00	RES 0603 CHIP 4K7 1/16W +5%
R349		038-15100-00	RES 0603 CHIP 10K 1/16W +5%
#R350	XX0X	036-16390-00	RES M/F 0805 CHIP 390K 5%
#R350	XX1X	036-16560-00	RES M/F 0805 CHIP 560K 5%
#R350	XX2X	036-16560-00	RES M/F 0805 CHIP 560K 5%
#R350	XX3X	036-16390-00	RES M/F 0805 CHIP 390K 5%
R354		038-14100-00	RES 0603 CHIP 1K0 1/16W +5%
R356		038-13100-00	RES 0603 CHIP 100E 1/16W +5%
R357		038-14470-00	RES 0603 CHIP 4K7 1/16W +5%
R358		036-16180-00	RES M/F 0805 CHIP 180K 5%
R359		038-14100-00	RES 0603 CHIP 1K0 1/16W +5%
R360		038-15270-00	RES 0603 CHIP 27K 1/16W +5%
#R361	XX0X	036-16820-00	RES M/F 0805 CHIP 820K 5%
#R361	XX1X	036-16470-00	RES M/F 0805 CHIP 470K 5%
#R361	XX2X	036-16470-00	RES M/F 0805 CHIP 470K 5%
#R361	XX3X	036-16820-00	RES M/F 0805 CHIP 820K 5%
R362		038-15470-00	RES 0603 CHIP 47K 1/16W +5%
R363		036-16100-00	RES M/F 0805 CHIP 100K 5%
R368		038-14220-00	RES 0603 CHIP 2K2 1/16W +5%
#R369	XX0X	038-14680-00	RES 0603 CHIP 6K8 1/16W +5%
#R369	XX1X	038-14470-00	RES 0603 CHIP 4K7 1/16W +5%
#R369	XX2X	038-14470-00	RES 0603 CHIP 4K7 1/16W +5%
#R369	XX3X	038-14680-00	RES 0603 CHIP 6K8 1/16W +5%
#R370	XX0X	036-14470-00	RES M/F 0805 CHIP 4K7 5%
#R370	XX1X	036-14270-00	RES M/F 0805 CHIP 2K7 5%
#R370	XX2X	036-14150-00	RES M/F 0805 CHIP 1K5 5%
#R370	XX3X	036-14470-00	RES M/F 0805 CHIP 4K7 5%
#R371	XX0X	036-15100-10	RES M/F 0805 CHIP 10K 1%
#R371	XX1X	036-15100-10	RES M/F 0805 CHIP 10K 1%
#R371	XX2X	036-15100-10	RES M/F 0805 CHIP 10K 1%
#R371	XX3X	036-15100-10	RES M/F 0805 CHIP 10K 1%
#R380	XX0X	038-15100-00	RES 0603 CHIP 10K 1/16W +5%
#R380	XX2X	038-15100-00	RES 0603 CHIP 10K 1/16W +5%
#R380	XX3X	038-15100-00	RES 0603 CHIP 10K 1/16W +5%
#R381	XX0X	045-15100-00	RES NTC SMD 10K 5%
#R381	XX2X	045-15100-00	RES NTC SMD 10K 5%
#R381	XX3X	045-15100-00	RES NTC SMD 10K 5%
#R382	XX0X	036-15470-00	RES M/F 0805 CHIP 47K 5%
#R382	XX1X	036-15220-00	RES M/F 0805 CHIP 22K 5%
#R382	XX2X	036-15680-00	RES M/F 0805 CHIP 68K 5%
#R382	XX3X	036-15470-00	RES M/F 0805 CHIP 47K 5%
SK-FLX		240-02010-92	CONN 22WAY FFC MOLEX STRAIGHT (LEADED
SK202		240-02010-91	CONN 5WAY FEM LOW PROF SKT STRIP PCB M

Ref	Var	IPN	Description
%XL201	XXX1	274-01058-00	XTAL 12.8MHZ TE/45 +-5PPM UM-1 3
%XL201	XXX2	274-01057-00	XTAL 12.8MHZ TE/44 +-3PPM UM-1 3
XL301		274-00010-22	XTAL 44.545MHZ SPEC TE/22 UM-1 C/W TEF
#XF301	XX0X	276-00010-68	FLTR XTAL 45MHZ 15KHZ B/W 2 POLE
#XF301	XX1X	276-00010-68	FLTR XTAL 45MHZ 15KHZ B/W 2 POLE
#XF301	XX2X	276-00010-69	FLTR XTAL 45MHZ 7.5KHZ B/W 2 POLE
#XF301	XX3X	276-00010-68	FLTR XTAL 45MHZ 15KHZ B/W 2 POLE
#XF302	XX0X	276-00010-68	FLTR XTAL 45MHZ 15KHZ B/W 2 POLE
#XF302	XX1X	276-00010-68	FLTR XTAL 45MHZ 15KHZ B/W 2 POLE
#XF302	XX2X	276-00010-69	FLTR XTAL 45MHZ 7.5KHZ B/W 2 POLE
#XF302	XX3X	276-00010-68	FLTR XTAL 45MHZ 15KHZ B/W 2 POLE

Note: The first character in the variant column refers to frequency band, the second refers to frequency sub-band, the third refers to the IF bandwidth and the fourth refers to frequency stability, as follows:

51XX	400-440MHz
52XX	440-470MHz
53XX	470-520MHz
70XX	330-360MHz
71XX	360-400MHz
XX0X	7.5KHz IF bandwidth, programmable to 15kHz
XX1X	15kHz IF bandwidth
XX2X	7.5kHz IF bandwidth
XX3X	12.5kHz IF bandwidth
XXX1	±5ppm -10 to +60°C
XXX2	±3ppm -10 to +50°C

T3000-5000/-7000 Mechanical & Miscellaneous Parts

IPN	Description	IPN	Description
220-01235-05	PCB T3500 400-520MHZ (T3700 340-360MHZ)		
220-01266-01	PCB T3000 RF FLEX-LOOM		
220-01285-04	PCB T3000 AERIAL SWITCH		
232-02034-02	(L) CAP A4M2868 AERIAL SWITCH		
232-02035-02	(L) CASE A4M2869 T3000 AERIAL SWITCH		
303-11185-00	CHASSIS A1M2702 T3000 DCAST BEAD BLSTD COMPLETE		
303-20053-00	COVER T3000 ACC PIN & AERIAL SWITCH(CLIP ON)		
303-20056-00	COVER REAR T3000 SII		
303-50025-03	CONTACT RADIO CONNECTOR T3000 (BE CU)		
303-50026-00	CONTACT A4M2767 T3000 AERIAL (PCB SWITCH)		
303-50070-00	CLIP A4M2648 XSTR MTG T2000PA/T555'S		
303-50080-00	CONTACT PRESSEL EARTHING T3000		
308-00011-02	MOULDING A1M2717 T3000 RADIO BAT CONTACT		
312-01025-02	LID A1M2705 T3000 BTM DCAST BEAD BLSTD COMPLETE		
316-85024-00	(L) PIN A4M2867 AERIAL SWITCH T3000		
316-85025-01	(L) EARTH RING A4M2870 T3000		
319-01041-01	(L) SPRING A4M2872 T3000 AERIAL SWITCH		
319-01048-03	STUD A4M2718 AERIAL MNT T3000		
319-01185-03	SHIELD T3000 IP54 DCAST BEAD BLSTD COMPLETE		
345-00010-11	(L) SCREW M2*9.4MM PAN POZI SS		
345-00020-02	SCREW M2.5 * 10 PAN POZI ST BZ		
345-00020-03	(L) SCREW M2.5X5MM CSK POZI MACHINE BLACK		
345-00020-08	SCREW M2.5*16MM PAN POZI ST BZ		
345-00020-10	SCREW M2.5*20MM PAN POZI ST BZ		
345-00030-20	SCREW M2.5 X 8MM BLACK CSK POZI MACHINE SCREW		
353-00010-02	WASHER M2 SHAKEPROOF INT BZ		
358-01021-00	EYELET 20*13*25		
360-02014-00	SPACER SIL T3000 RADIO BAT CONTACT SUPPORT		
362-01059-02	BUSH INS A4M2713 AERIAL STUD T3000		
362-01074-00	GASKET T3000 ACC PIN & AERIAL SWITCH COVER		
362-01077-01	SEAL SIL T3000 PERIMETER GASKET		
362-01086-00	SEAL SIL T3000 RADIO BAT CONTACT (C/W TAPE)		
365-00100-20	LABEL WHITE S/A 28X11MM QUIKSTIK RW718/4		
369-00020-48	TAPE 2 SIDE 20MM * 50M ROLL (4959)		

T3000-5000/-7000 Grid Reference Index (IPN 220-01235-05)

Device	PCB	Circuit	Device	PCB	Circuit	Device	PCB	Circuit	Device	PCB	Circuit
A-2	1:E1	PA-B6	*C303	4:B5	RX-B5	D303	4:D5	RX-F5	R132	4:D1	PA-E2
			*C304	4:B4	RX-B5	IC101	4:D1	PA-F2	R133	4:D1	PA-E2
B-2	4:A2	PA-F6	*C305	4:B5	RX-C5			PA-H1	R134	4:D1	PA-F2
B-3	1:A2	PA-G6	C309	1:B5	RX-B6			PA-J2	R135	4:C2	PA-G1
B-4	1:A3	PA-G6	C310	4:C5	RX-C6	IC201	4:C3	SYNTH-F5	R136	4:D1	PA-F2
B-5	1:B6	PA-K6	C312	1:C4	RX-C7	IC202	1:B2	SYNTH-C1	R138	4:C1	PA-H3
			*C315	4:C4	RX-D6	IC203	1:D3	SYNTH-B6	R139	4:C1	PA-H2
C-1	4:B3	PA-J4	*C316	4:C4	RX-D5			SYNTH-K7	R141	4:C1	PA-G1
C-2	1:E2	PA-A6	*C317	4:C4	RX-D5			SYNTH-L7	R142	4:C1	PA-H1
C101	1:E1	PA-B6	*C318	4:C5	RX-E5	IC301	4:C6	RX-C1	R143	4:C1	PA-H1
C102	4:C2	PA-C4	*C319	4:D4	RX-E6			RX-F1	R144	4:C1	PA-H2
C103	1:D1	PA-C5	*C320	4:C5	RX-E5			RX-J2	R145	4:C2	PA-J1
C104	1:C2	PA-D5	C325	1:D5	RX-E6			RX-L2	R146	4:C2	PA-J1
C105	1:C2	PA-E5	*C326	4:D4	RX-E5				R200	4:B4	SYNTH-C8
C106	4:C2	PA-E4	*C327	4:D5	RX-F5	L101	1:C2	PA-D5	R201	4:D4	SYNTH-B5
C107	4:E1	PA-D4	*C328	4:D5	RX-F5	L102	1:C2	PA-D5	R202	4:D3	SYNTH-B5
C109	1:B1	PA-D8	*C329	4:D4	RX-F6	L103	1:B2	PA-E5	R203	4:D3	SYNTH-C6
C110	1:B1	PA-D7	C330	1:C5	RX-E8	L104	1:B2	PA-F7	R204	4:D3	SYNTH-C6
C111	4:A1	PA-E6	C331	4:D5	RX-H6	*L106	1:A4	PA-H6	%R205	4:D3	SYNTH-D7
C112	1:B1	PA-F7	C332	4:D6	RX-J7	*L107	1:A5	PA-J6	R206	4:D3	SYNTH-E7
C113	4:B1	PA-E8	C333	1:D5	RX-G5	*L108	1:A6	PA-J6	R207	4:D3	SYNTH-E7
*C115	1:A3	PA-G6	C334	1:E5	RX-G6	*L111	1:A3	PA-H4	R208	4:C3	SYNTH-F6
C120	4:A4	PA-H6	#C336	4:E5	RX-J5	*L112	4:A2	PA-H3	R209	4:D2	SYNTH-D5
*C121	4:A4	PA-H6	#C337	1:E6	RX-J6	*L301	1:B4	RX-B4	%R210	4:D2	SYNTH-D5
*C122	4:A4	PA-H6	C338	1:D5	RX-K6	*L302	4:C5	RX-C6	%R211	4:D2	SYNTH-D5
*C123	4:B5	PA-J6	#C340	4:E6	RX-K5	L304	4:C4	RX-C5	R212	4:D3	SYNTH-E5
*C124	4:A6	PA-J6	C341	1:E6	RX-K6	*L306	1:C4	RX-E4	R213	4:C4	SYNTH-E5
*C125	4:A5	PA-J6	C342	1:D5	RX-J6	*L307	1:D4	RX-F4	R214	4:C3	SYNTH-E5
*C126	4:B6	PA-J6	C343	1:D6	RX-L7	L311	1:E5	RX-G6	R215	4:C4	SYNTH-F5
*C127	4:A6	PA-K6	C344	1:D6	RX-K6	#L312	4:E6	RX-J5	R216	1:B3	SYNTH-H7
*C128	4:B6	PA-K6	C345	1:D6	RX-L6	#L315	1:E6	RX-M5	R217	4:B2	SYNTH-G8
*C131	4:A3	PA-H4	C346	1:E5	RX-L5	#L319	4:C6	RX-B1	R217A	4:C2	SYNTH-G7
*C132	4:B3	PA-H4	#C347	1:D6	RX-L5	L320	1:C6	RX-C1	R218	4:C3	SYNTH-G8
C135	4:E1	PA-D2	#C349	1:D6	RX-A1				R219	4:B4	SYNTH-F8
C136	4:D1	PA-D2	#C350	4:D6	RX-B1	*M100	1:D1	PA-D6	R220	4:C3	SYNTH-H8
C138	4:D1	PA-F2	#C351	4:C6	RX-B2	*MX301	1:E4	RX-G5	R221	1:C3	SYNTH-H6
C139	4:D1	PA-F1	#C352	4:C6	RX-C1				R222	1:C3	SYNTH-J8
C200	4:B4	SYNTH-B7	C353	1:C6	RX-C0	PL201	1:B3	SYNTH-E0	R223	1:C4	SYNTH-K6
C201	4:D3	SYNTH-C6	C354	4:C6	RX-C1				*R224	1:D3	SYNTH-J4
C202	4:D3	SYNTH-C6	C356	4:C6	RX-C1	Q101	1:D2	PA-D2	R228	4:D3	SYNTH-L8
C203	4:D4	SYNTH-D5	C358	4:C6	RX-C1	Q102	4:E1	PA-E1	R229	1:D3	SYNTH-L6
C204	4:D4	SYNTH-E5	C359	4:C5	RX-D1	Q201	4:D3	SYNTH-E6	R230	1:D2	SYNTH-L6
C205	4:D4	SYNTH-E5	C360	1:C6	RX-F3	Q203	1:C3	SYNTH-L1	R235	1:C2	SYNTH-B1
C206	4:C4	SYNTH-F5	C361	4:B6	RX-F3	Q205	1:C3	SYNTH-L1	R240	1:B3	SYNTH-K1
C207	1:C3	SYNTH-G5	C362	4:D6	RX-G3	Q301	4:C4	RX-C5	R241	1:C3	SYNTH-L1
C209	4:D3	SYNTH-E6	C363	4:D5	RX-G2	Q302	4:E5	RX-H7	R242	1:C4	SYNTH-L0
C210	4:C3	SYNTH-E7	C364	4:D6	RX-G3	Q303	1:D5	RX-L7	R301	1:C4	RX-C7
C211	4:D3	SYNTH-F6	C367	1:D5	RX-H1	Q304	1:D5	RX-L6	*R302	4:C5	RX-C6
C212	4:C4	SYNTH-F7	C368	1:C6	RX-G1	Q306	4:B5	RX-E1	*R303	4:C4	RX-C6
C213	4:C2	SYNTH-G7	#C369	1:D6	RX-H2	Q307	4:E5	RX-K2	R304	1:B5	RX-B6
C214	4:C2	SYNTH-G7	#C370	1:C5	RX-J2	RSPECB	4:B6		R305	1:B5	RX-C6
C215	4:B2	SYNTH-H8	C371	4:D5	RX-K3	RSPEC	4:B6		R306	4:C4	RX-C5
C216	4:C3	SYNTH-H8	C372	4:E5	RX-K2	RTYPA	4:B5		*R307	4:C4	RX-C5
C217	1:C4	SYNTH-H6	#C373	4:E4	RX-K2	RTYPB	4:B5		R308	1:C5	RX-E7
C218	1:C3	SYNTH-H5	C373	4:E4	RX-L3	RSPECA	4:C6		R309	1:C5	RX-E5
C219	1:D3	SYNTH-J5	C374	4:D4	RX-L1	RTYP1	4:B5		R310	1:D5	RX-F5
C220	1:D3	SYNTH-J5	C375	1:C5	RX-L1	RTYP2	1:B5		R311	1:D5	RX-G5
C221	1:C3	SYNTH-J6	C380	4:D6	RX-H0	*R101	1:D2	PA-A6	#R312	1:E5	RX-H7
C222	4:D4	SYNTH-L7	C381	4:D6	RX-J1	*R102	1:E2	PA-B6	#R313	1:E5	RX-H6
C223	1:D2	SYNTH-L6	C383	4:E3	RX-J0	*R103	1:D2	PA-B6	R314	4:D6	RX-H6
C224	1:D3	SYNTH-L6				R106	4:C2	PA-C3	#R315	4:D5	RX-J7
C227	1:C3	SYNTH-H7	D102	4:B1	PA-E8	R107	4:D1	PA-C5	#R316	4:D5	RX-H7
C229	1:E2	SYNTH-B2	D103	1:A3	PA-G6	R108	1:D1	PA-C4	R317	1:D6	RX-L8
C230	1:C2	SYNTH-B1	D104	4:A3	PA-H4	R109	1:D1	PA-C5	R318	1:D6	RX-L7
C231	1:B2	SYNTH-D1	D201	4:B4	SYNTH-C8	R110	4:B1	PA-E4	R319	4:D6	RX-J8
C232	4:E4	SYNTH-D1	D202	4:D3	SYNTH-D6	R113	1:B1	PA-D7	R320	1:D5	RX-K7
C235	4:B3	SYNTH-E1	D203	4:D3	SYNTH-D6	R114	1:B1	PA-E7	R321	1:D5	RX-J7
C238	1:B3	SYNTH-K0	D204	1:B3	SYNTH-H4	R116	1:A1	PA-F7	R322	1:D5	RX-K6
C300	4:E4	RX-A8	D205	1:B3	SYNTH-K1	R117	1:A1	PA-F7	R323	1:D6	RX-L6
#CF301	1:B5	RX-F1	D206	1:C3	SYNTH-L0	R118	1:B1	PA-F7	R324	1:D6	RX-L6
CD301	1:D6	RX-H3	D207	1:B3	SYNTH-K1	R129	4:C2	PA-B0	R325	1:E6	RX-K5
*C301	4:B4	RX-B5	D301	4:B5	RX-B5	R130	4:D2	PA-D1	R330	4:C6	RX-B1
*C302	4:B4	RX-B5	D302	4:C5	RX-E5	R131	4:E2	PA-E1	R331	4:C6	RX-C0

<u>Device</u>	<u>PCB</u>	<u>Circuit</u>	<u>Device</u>	<u>PCB</u>	<u>Circuit</u>	<u>Device</u>	<u>PCB</u>	<u>Circuit</u>	<u>Device</u>	<u>PCB</u>	<u>Circuit</u>
R332	4:C5	RX-D1									
R333	4:C5	RX-E1									
R334	4:B5	RX-E2									
R335	4:B6	RX-E2									
R337	4:B5	RX-E2									
R338	4:D6	RX-E3									
R339	4:D5	RX-F2									
R340	4:D5	RX-G3									
#R341	4:D6	RX-G3									
R344	4:D6	RX-H3									
R345	4:D6	RX-H2									
R346	1:C6	RX-G1									
R347	1:C6	RX-G1									
R348	1:D6	RX-H2									
R349	1:C6	RX-H1									
#R350	1:D5	RX-J1									
R354	4:E4	RX-J2									
R356	4:E5	RX-K3									
R357	4:E5	RX-K3									
R358	4:E5	RX-K2									
R359	4:E5	RX-K2									
R360	4:E5	RX-K2									
#R361	1:C5	RX-L2									
R362	1:C5	RX-L2									
R363	4:E4	RX-L2									
R368	4:D6	RX-H1									
#R369	4:D6	RX-J1									
#R370	4:E6	RX-J1									
#R371	4:D6	RX-K0									
#R380	4:E4	RX-L3									
#R381	4:E4	RX-L3									
#R382	4:E4	RX-L3									
SK-FLEXI	1:E4	DIAGRAM-J0									
SK202	1:E3	SYNTH-H0									
%XL201	1:D3	SYNTH-D6									
XL301	1:C6	RX-C0									
#XF301	1:E6	RX-J6									
#XF302	1:D6	RX-A1									

